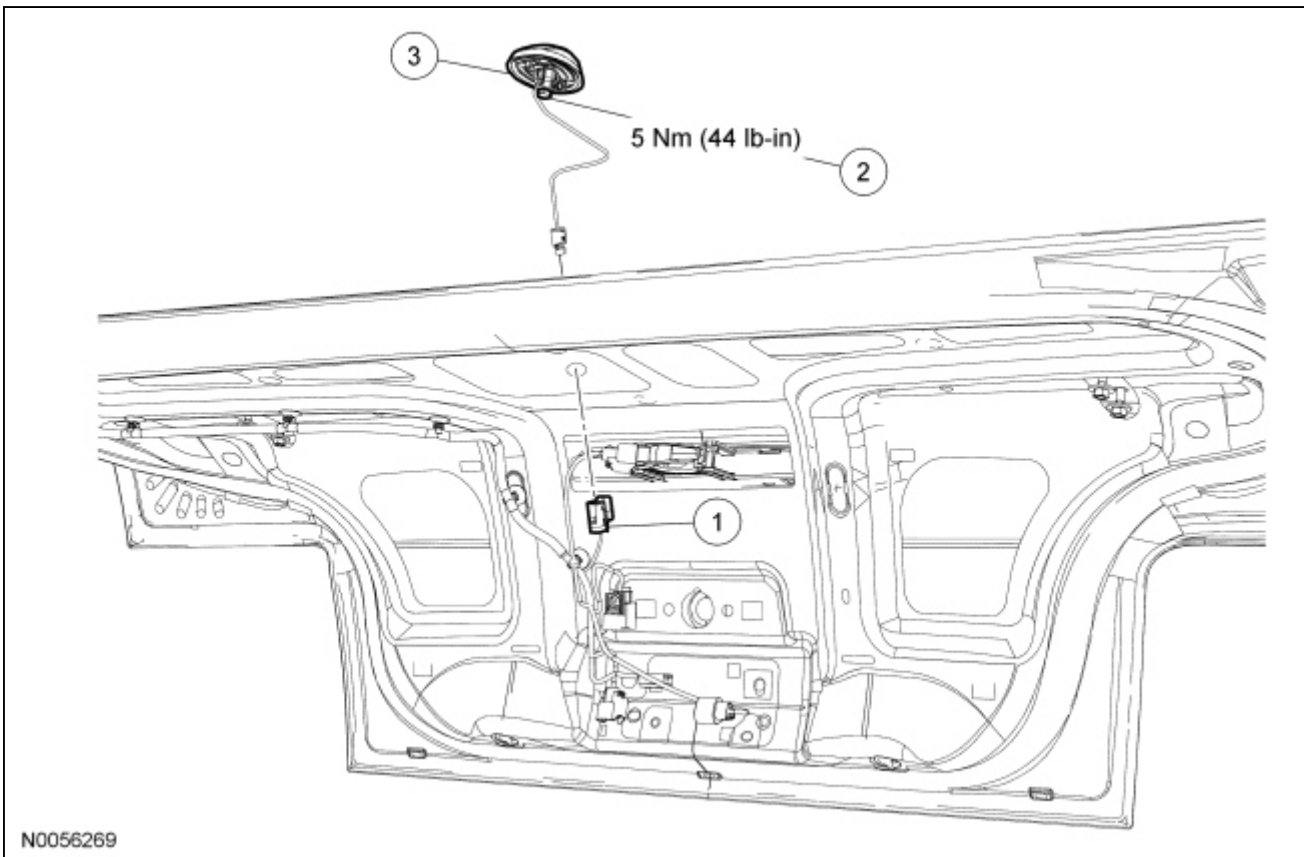


Antenna — Satellite Radio



Item	Part Number	Description
1	—	Satellite radio antenna cable electrical connector (part of 19B516)
2	—	Satellite radio antenna bolt (part of 18C964)
3	18C964	Satellite radio antenna

Removal and Installation

- Loosen the satellite radio antenna bolt.
 - To install, tighten to 5 Nm (44 lb-in).
- Remove the satellite radio antenna.
 - Disconnect the electrical connector.
 - Remove the antenna and wiring through the hole in the luggage compartment lid.
- To install, reverse the removal procedure.

